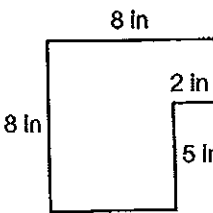


Calculating Area & Perimeter

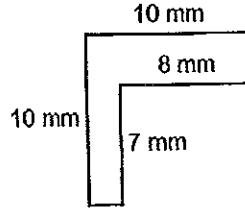
Name: _____ Date: _____

Calculate the area and perimeter of each shape.

(1) 

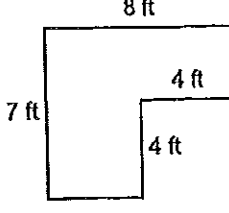
Perimeter: _____

Area: _____

(5) 

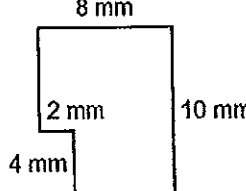
Perimeter: _____

Area: _____

(9) 

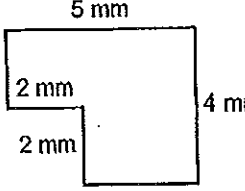
Perimeter: _____

Area: _____

(2) 

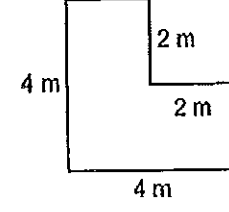
Perimeter: _____

Area: _____

(6) 

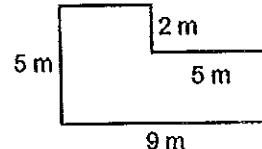
Perimeter: _____

Area: _____

(10) 

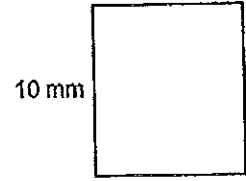
Perimeter: _____

Area: _____

(3) 

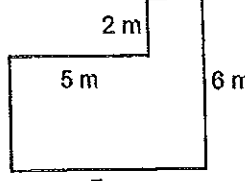
Perimeter: _____

Area: _____

(7) 

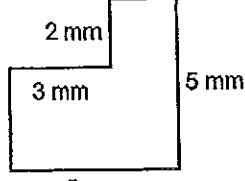
Perimeter: _____

Area: _____

(11) 

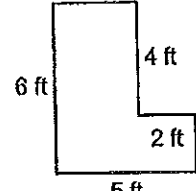
Perimeter: _____

Area: _____

(4) 

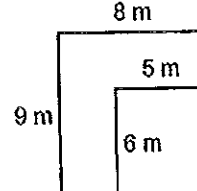
Perimeter: _____

Area: _____

(8) 

Perimeter: _____

Area: _____

(12) 

Perimeter: _____

Area: _____