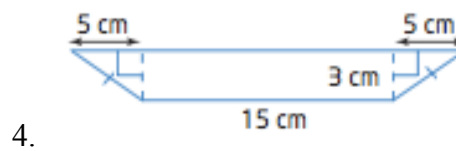
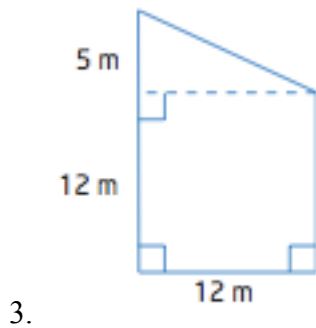
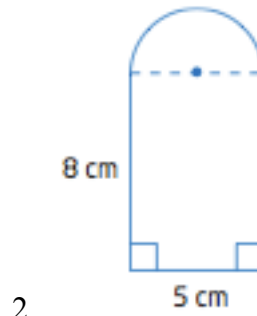
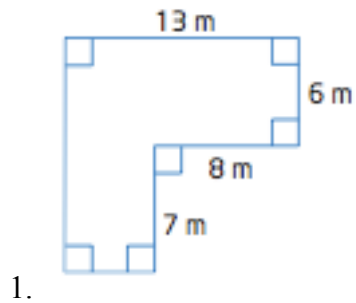


9-3 Area and Perimeter of Composite Figures

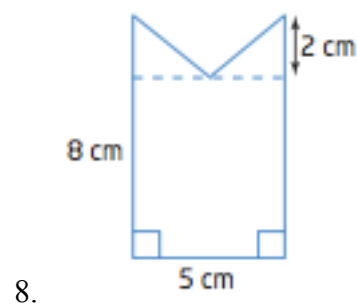
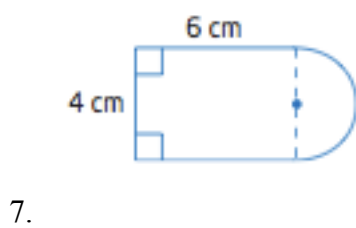
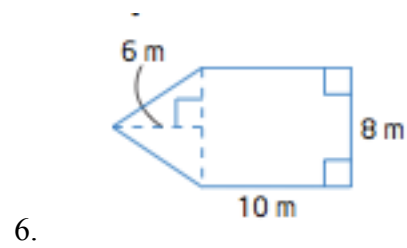
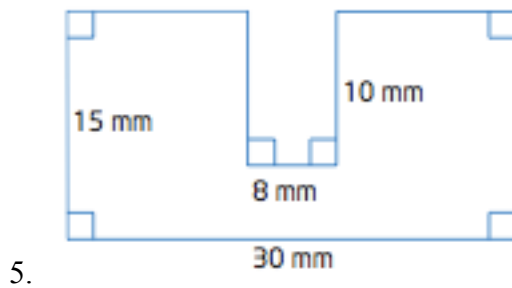
Name _____

Date _____ Period _____

Find the **perimeter** of each figure.



Find the **area** of each figure.



9-3 Area and Perimeter of Composite Figures

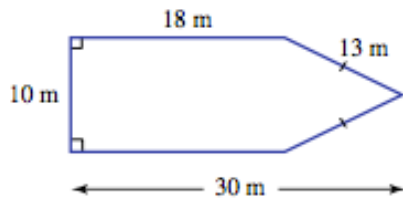
Name _____

Date _____ Period _____

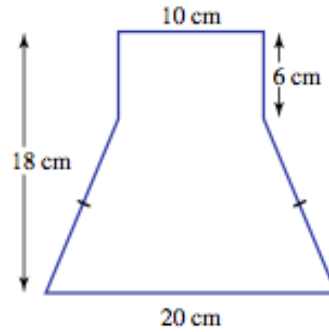
Notes and Examples

Find the area and perimeter of each composite figure.

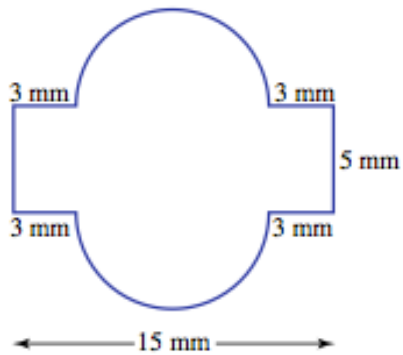
1.



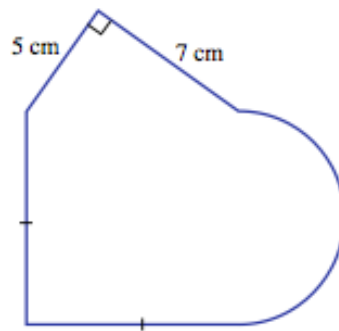
2.



3.



4.



5.

